

# Fisher-Price®

Instructions

# Water Magic™

## Kitchen

Model Number: 72723



*Product decoration may vary from picture above.*

**Please keep these instructions for future reference.**

**Adult assembly is required.**

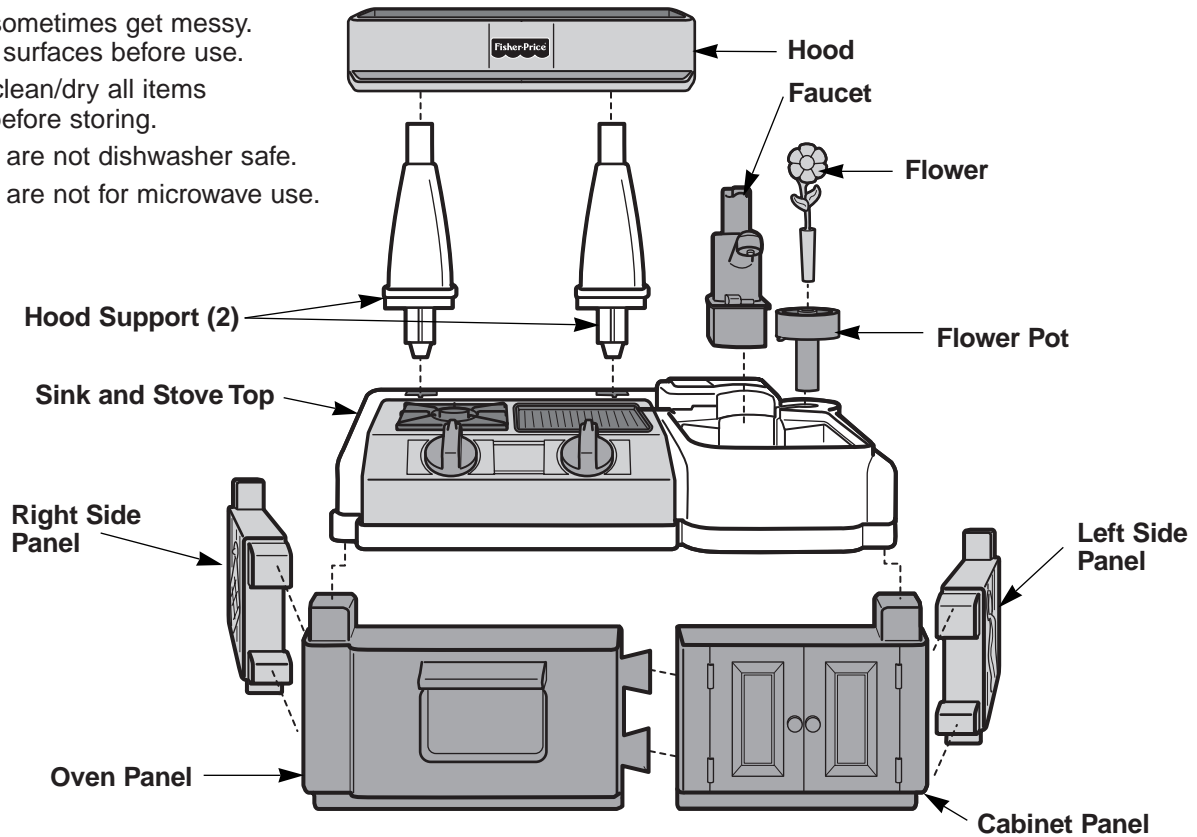
**No tools needed for assembly.**

[www.fisher-price.com](http://www.fisher-price.com)

# Parts

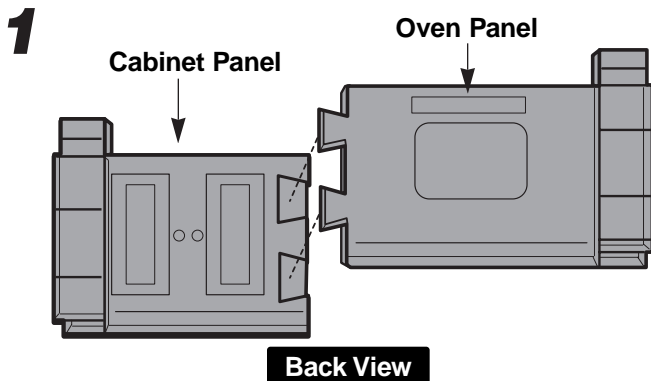
## Parents, Please Note!

- All plastic food toys should be hand washed thoroughly with warm, soapy water before first use and after each use.
- Not recommended for use on surfaces that can be damaged by water.
- Water toys sometimes get messy. Protect play surfaces before use.
- Drain/rinse/clean/dry all items thoroughly before storing.
- Accessories are not dishwasher safe.
- Accessories are not for microwave use.

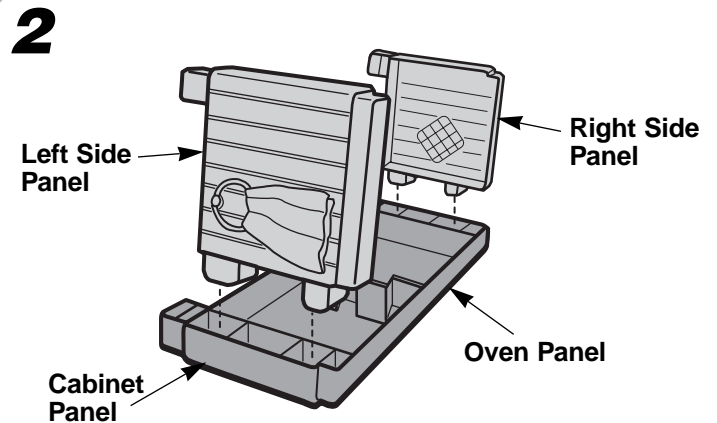


(Accessories and label sheet not pictured.)

# Assembly



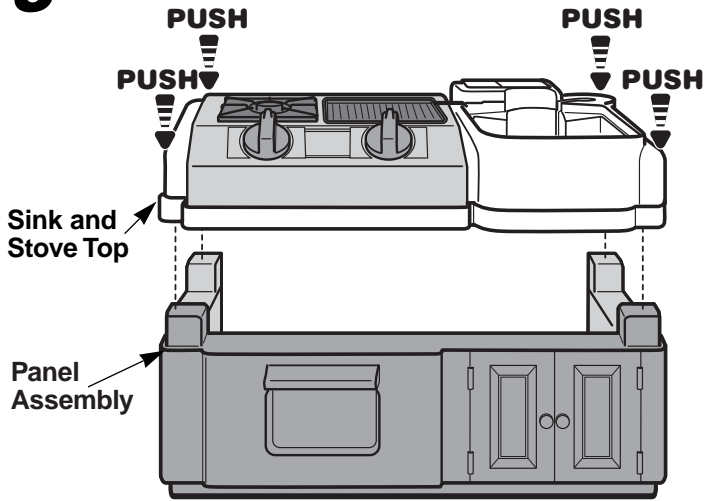
- Fit the oven and cabinet panels together.



- Snap the right side panel into the back of the cabinet panel.
- Snap the left side panel into the back of the oven panel.

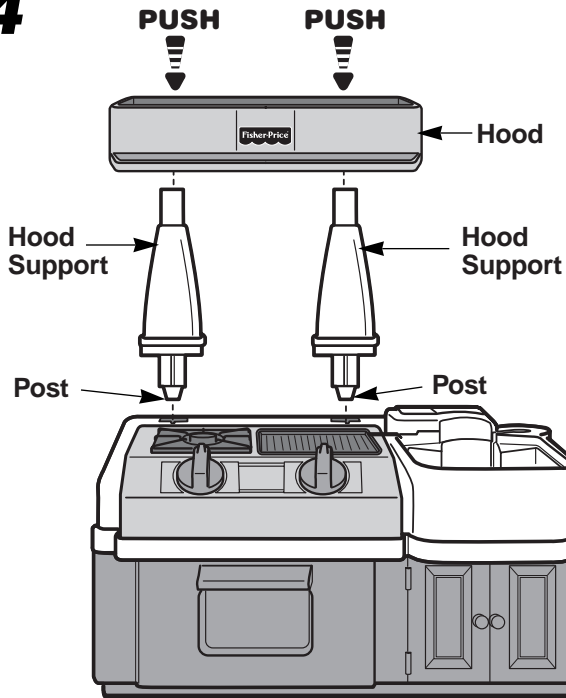
# Assembly

**3**



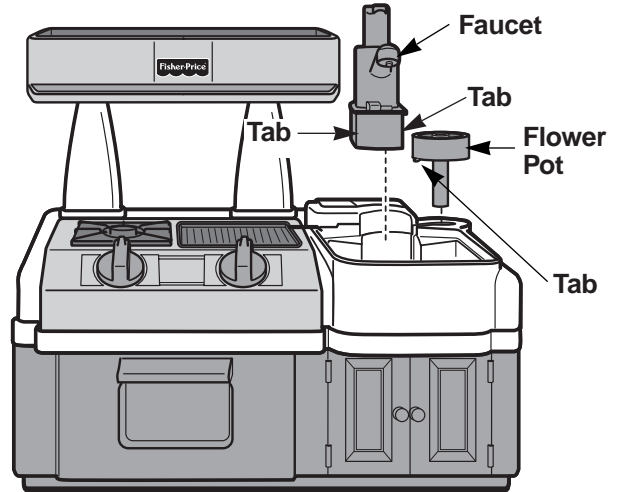
- Position the panel assembly upright and with the front facing you.
- Fit the sink and stove top onto the panel assembly and press firmly above each corner. Make sure the sink and stove top is secure on the panel assembly.

**4**



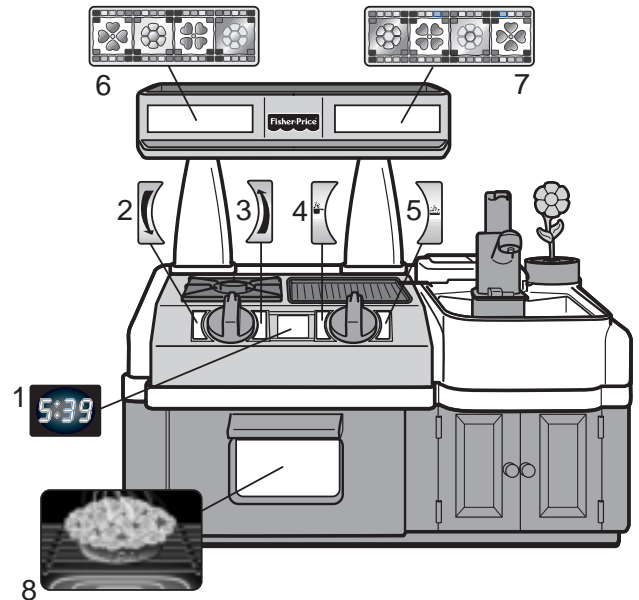
- Fit the posts at the bottom of the hood supports into the square openings behind the stove top's burner and griddle.
- With the Fisher-Price® logo on the hood facing you, fit the hood onto the hood supports. Press firmly to snap the hood onto each hood support.

**5**



- Fit the faucet and flower pot into the sink. Make sure the tabs on the sides of the faucet and the tab on the side of the flower pot fit into the grooves in the sink.

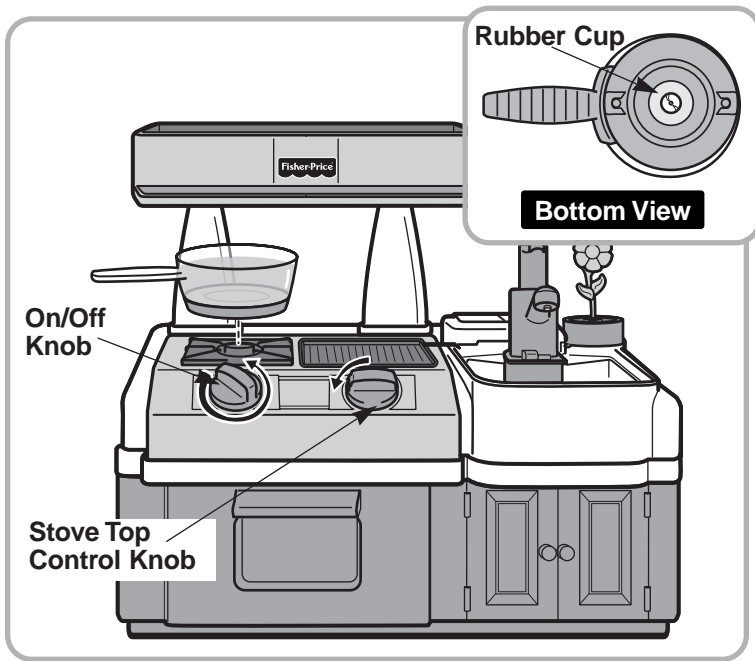
**6**




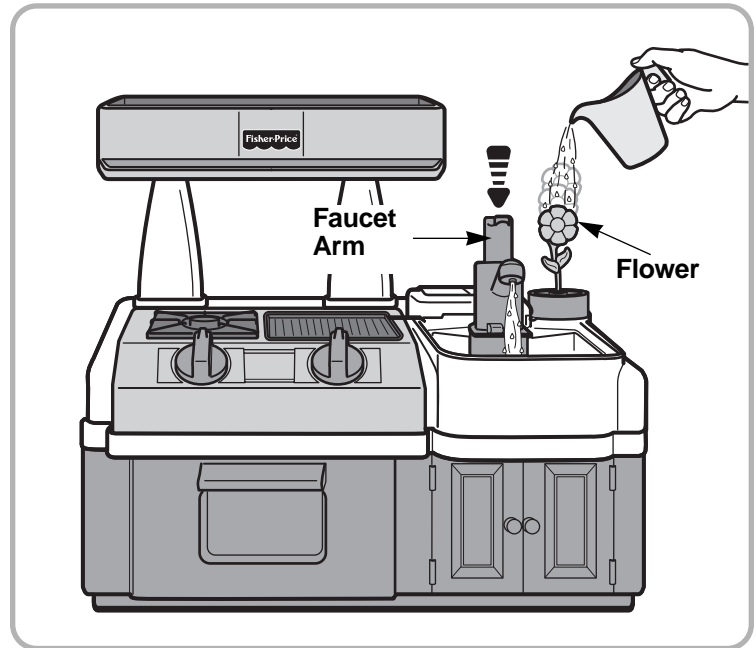
*Proper label application will help to keep the labels looking their best! When applying labels, keep the following guidelines in mind:*

- Wash your hands before applying the labels.
- Wipe the surface of the toy with a clean, dry cloth to remove any dust or oils before applying the labels.
- Place the labels exactly as shown in the illustration.
- For best results, avoid repositioning a label once it has been applied.
- After applying a label, rub the label firmly with a clean, dry cloth. Start at the center of a label and smooth towards the outer edges to remove air bubbles.

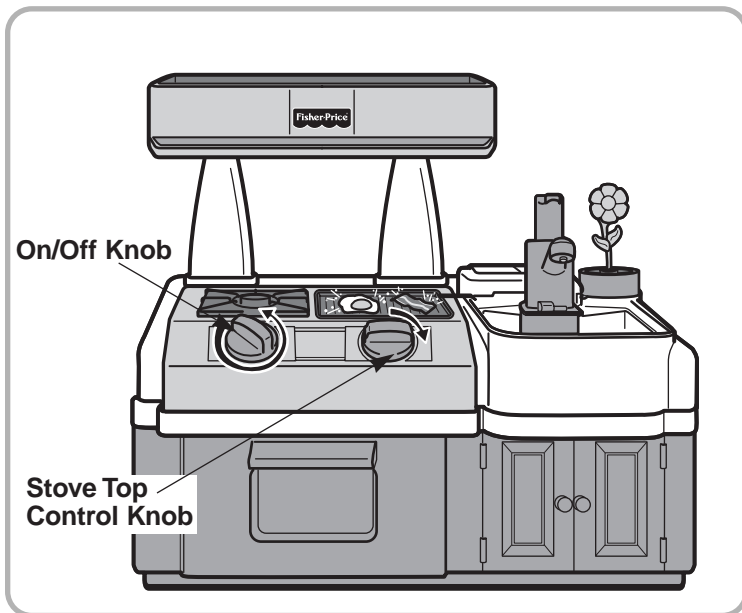
## Now You're Cooking...




- Add some water to the sauce pan and place it on the burner.  
**Helpful Hint:** For best performance, make sure that the rubber cup on the bottom of the sauce pan fits over the small hole in the center of the burner (see inset).
- Rotate the stove top control knob counter-clockwise to the burner setting .
- Rotate the on/off knob counter-clockwise one full turn (360°) to make the water "boil".



- To use the faucet, fill the sink with a few inches of water. Pump the faucet arm for "running" water.  
**Helpful Hint:** You may need to pump the faucet arm a few times to draw water up through the faucet.
- Place the flower in the flower pot. Use the pitcher to pour water into the flower pot and watch the flower "grow" before your eyes!



- To use the griddle, rotate the stove top control knob clockwise to the griddle setting .
- Use the pitcher to pour some water onto the griddle and rotate the on/off knob counter-clockwise one full turn (360°). Time to sizzle!



### Questions? We'd like to hear from you!

Call Fisher-Price® Consumer Affairs, toll-free at **1-800-432-KIDS**, 8 AM - 5 PM EST Monday through Friday. Hearing-impaired consumers using TTY/TDD equipment, please call 1-800-382-7470. Or, write to:  
Fisher-Price® Consumer Affairs  
636 Girard Avenue  
East Aurora, New York 14052

If you have any questions about this product:

**In CANADA** - Mattel Canada Inc., 6155 Freemont Blvd., Mississauga, Ontario L5R 3W2. Questions? 1-800-567-7724.

**In GREAT BRITAIN** - Mattel U.K., Ltd., Helpline: 01628 500303.

**In AUSTRALIA** - Mattel Australia Pty. Ltd., 658 Church Street, Locked Bag #870, Richmond, Victoria 3121 Australia. Consumer Advisory Service 1-800-800-812 (valid only in Australia).